

河南普辉工业有限公司
HENAN PUHUI INDUSTRY CO., LTD.



Cooperation Mutual benefits Innovation Development

HDPE PIPE FITTINGS

Puhui Industry Co., Ltd.

Add: No. 86 Jingsan Rd, Jinshui District, Zhengzhou City, China 450000.

Email: adrian.z@phtopindustry.com

Tel: +86 37156061777

Mobile: +86 15937156795

Website: www.phpipes.com/ www.phpipe-fitting.com





HDPE Fittings

Introduction:

Puhui supplies a wide range of fittings used in HDPE piping industry, which includes fittings for Butt fusion, Electrofusion and flanged connections.

These butt fusion fittings are of two types, moulded (injected) fittings and segmented fittings. The difference lies in the method of manufacturing. Moulded fittings are manufactured by mould injection and segmented fittings are manufactured by using HDPE pipes of the same pressure class and standard, and using automatic welding machines that gives no room for error to produce a homogeneous product. The high tech methods used for welding ensures the strongest joints.

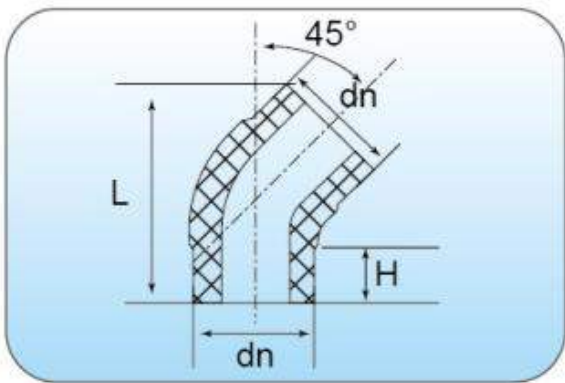
NOTE:

Moulded and segmented fittings are manufactured according to **ISO 4427-3, EN12201-3, AS/NZS 4129** standards.





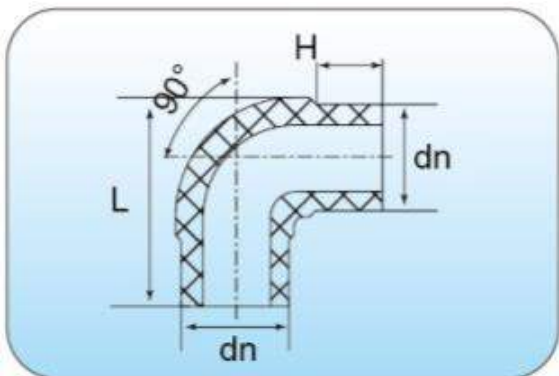
Butt fusion 45°Elbow PE100/PE100RC



dn	L	H	e	e	e
SIZE(dn)	mm	mm	SDR17	SDR13.6	SDR11
L63	165	63			5.8
L75	190	70			6.8
L90	210	79			8.2
L110	260	85		8.1	10.0
L125	238	80		9.2	11.4
L140	255	80		10.3	12.7
L160	325	100		11.8	14.6
L180	300	90		13.3	16.4
L200	360	110		14.7	18.2
L225	365	110		16.6	20.5
L250	385	110		18.4	22.7
L280	400	108		20.6	25.4
L315	430	110		23.2	28.6
L355	430	100	21.1		32.2
L400	490	110	23.7		36.3
L450	560	130	26.7		40.9
L500	610	135	29.7		45.4
L560	650	135	33.2		50.8
L630	710	145	37.4		57.2
L710	830	170	42.1		
L800	900	170	47.4		



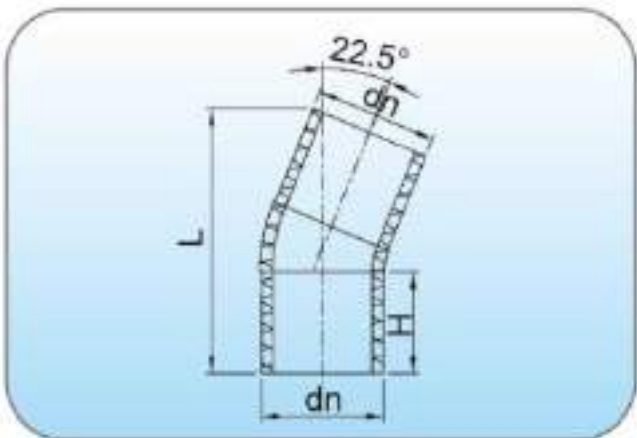
Butt fusion 90°Elbow PE100/PE100RC



dn	L	H	e	e	e
SIZE(dn)	mm	mm	SDR17	SDR13.6	SDR11
L63	133	63			5.8
L75	152	70			6.8
L90	176	79			8.2
L110	200	80		8.1	10.0
L125	215	80		9.2	11.4
L140	225	80		10.3	12.7
L160	270	100		11.8	14.6
L180	280	90		13.3	16.4
L200	325	110		14.7	18.2
L225	350	110		16.6	20.5
L250	370	110		18.4	22.7
L280	395	108		20.6	25.4
L315	430	110		23.2	28.6
L355	460	100	21.1		32.2
L400	525	110	23.7		36.3
L450	590	120	26.7		40.9
L500	660	135	29.7		45.4
L560	720	140	33.2		50.8
L630	790	145	37.4		57.2
L710	900	170	42.1		64.5
L800	990	170	47.4		72.6



Butt fusion 22.5° Elbow PE100/PE100RC



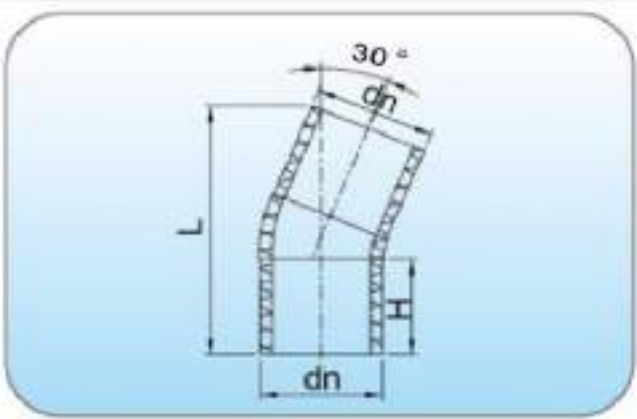
dn	L	H	e	e	e
SIZE(dn)	mm	mm	SDR17	SDR13.6	SDR11
L110	190	70			10.0
L125	225	85			11.4
L140	240	90			12.7
L160	245	85			14.6
L180	280	105			16.4
L200	280	95			18.2
L225	320	120		16.6	20.5
L250	335	110		18.4	22.7
L280	380	135	16.6	20.6	25.4
L315	355	110	18.7	23.2	28.6
L355	450	160	21.1		32.2
L400	390	110	23.7		36.3
L450	450	120	26.7		40.9
L500	480	130	29.7		45.4
L560	520	135	33.2		50.8
L630	560	140	37.4		57.2
L710	690	170	42.1		
L800	720	170	47.4		



Butt fusion 30° Elbow PE100/PE100RC

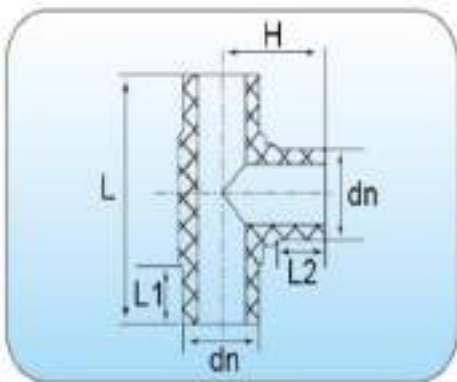


dn	L	H	e	e	e
SIZE(dn)	mm	mm	SDR17	SDR13.6	SDR11
L450	450	120	26.7		
L500	480	130	29.7		
L560	520	135	33.2		
L630	560	140	37.4		
L710	690	170	42.1		
L800	720	170	47.4		





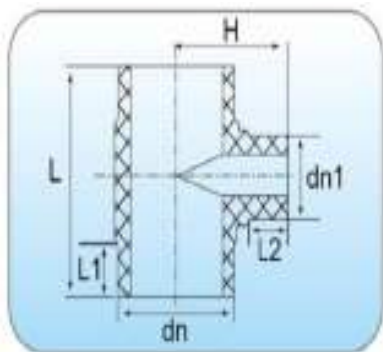
Equal Tee PE100/PE100RC



dn	L	L1	L2	H	e	e	e
SIZE(dn)	mm	mm	mm	mm	SDR17	SDR13.6	SDR11
T63	203	63	63	100			5.8
T75	232	70	70	117			6.8
T90	276	80	80	138			8.2
T110	300	83	83	150		8.1	10
T125	305	80	80	150		9.2	11.4
T140	320	80	80	160		10.3	12.7
T160	383	100	100	195		11.8	14.6
T180	400	90	90	197		13.3	16.4
T200	456	110	110	228		14.7	18.2
T225	485	110	110	242		16.6	20.5
T250	505	110	110	250		18.4	22.7
T280	535	110	110	267		20.6	25.4
T315	575	102	110	285		23.2	28.6
T355	595	110	110	295	21.1	26.1	32.2
T400	639	110	110	320	23.7	29.4	36.3
T450	750	135	150	405	26.7	33.1	40.9
T500	800	135	170	455	29.7	36.8	45.4
T560	910	140	170	475	33.2	41.2	50.8
T630	970	150	160	485	37.4	46.3	57.2
T710	1140	210	210	570	42.1	52.2	64.5
T800	1260	230	230	630	47.4	58.8	72.6



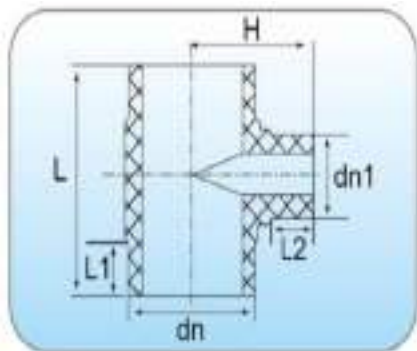
Reducing Tee PE100/PE100RC



dn-dn1	L	L1	L2	H	e	e2
SIZE(dn-dn1)	mm	mm	mm	mm	SDR13.6	SDR11
T75-50	199	70	55	94		6.8*4.6
T75-63	220	70	65	107		6.8*5.8
T90-50	243	80	65	115	6.7*3.7	8.2*4.6
T90-63	243	80	68	123	6.7*4.7	8.2*5.8
T90-75	270	80	75	130	6.7*5.6	8.2*6.8
T110-50	242	83	60	125	8.1*3.7	10*4.6
T110-63	242	83	62	130	8.1*4.7	10*5.8
T110-75	275	83	80	138	8.1*5.6	10*6.8
T110-90	275	83	82	140	3.2*6.7	10*8.2
T125-63	305	80	70	145	9.2*4.7	11.4*5.8
T125-75	305	80	70	145	9.2*5.6	11.4*6.8
T125-90	305	80	75	150	9.2*6.7	11.4*8.2
T125-110	305	80	75	150	9.2*8.1	11.4*10
T140-63	253	75	70	150	10.3*4.7	12.7*5.8
T140-75	253	75	75	155	10.3*5.6	12.7*6.8
T140-90	253	75	75	155	10.3*6.7	12.7*9.0
T140-110	253	70	80	160	10.3*8.1	12.7*10
T140-125	320	80	80	160	10.3*9.2	12.7*11.4



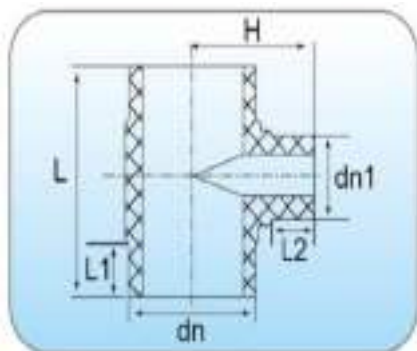
Reducing Tee PE100/PE100RC



dn-dn1	L	L1	L2	H	e	e
SIZE(dn-dn1)					SDR13.6	SDR11
T160-50	250	90	70	170	11.8*3.7	14.6*4.6
T160-63	278	90	75	170	11.8*4.7	14.6*5.8
T160-75	277	90	75	170	11.8*5.6	14.6*6.8
T160-90	272	85	85	170	11.8*6.7	14.6*8.2
T160-110	333	100	80	175	11.8*8.1	14.6*10
T160-125	380	98	100	190	11.8*9.2	14.6*11.4
T160-140	383	100	100	195	11.8*10.3	14.6*12.7
T180-63	270	85	75	180	13.3*4.7	16.4*5.8
T180-75	270	85	75	180	13.3*5.6	16.4*6.8
T180-90	270	85	80	180	13.3*6.7	16.4*8.2
T180-110	270	85	85	185	13.3*8.1	16.4*10.0
T180-160	400	90	85	185	13.3*11.8	16.4*14.6
T200-63	338	95	75	195	14.7*4.7	18.2*5.8
T200-75	338	95	80	195	14.7*5.6	18.2*6.8
T200-90	338	95	85	195	14.7*6.7	18.2*8.2
T200-110	338	95	85	195	14.7*8.1	18.2*10
T200-160	368	95	85	200	14.7*11.8	18.2*14.6
T225-63	365	110	80	210	16.6*4.7	20.5*5.8
T225-75	365	110	85	220	16.6*5.6	20.5*6.8
T225-90	365	110	90	230	16.6*6.7	20.5*8.2
T225-110	365	110	100	230	16.6*8.1	20.5*10.0
T225-160	485	110	110	242	16.6*11.8	20.5*14.6



Reducing Tee PE100/PE100RC



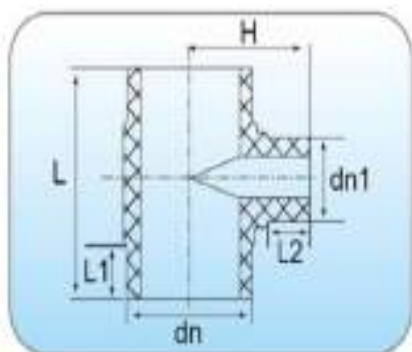
dn-dn1	L	L1	L2	H	e	e
SIZE(dn-dn1)	mm	mm	mm	mm	SDR13.6	SDR11
T225-200	485	110	110	242	16.6*14.7	20.5*18.2
T250-63	365	110	85	235	18.4*4.7	22.7*5.8
T250-75	365	110	90	235	18.4*5.6	22.7*6.8
T250-90	365	110	100	245	18.4*6.7	22.7*8.2
T250-110	365	110	110	245	18.4*8.1	22.7*10
T250-160	505	110	110	250	18.4*11.8	22.7*14.6
T250-200	505	110	110	250	18.4*14.7	22.7*18.2
T280-63	300	100	90	240	20.6*4.7	25.4*5.8
T280-75	300	100	90	240	20.6*5.6	25.4*6.8
T280-90	300	100	90	240	20.6*6.7	25.4*8.2
T280-110	300	100	100	240	20.6*8.1	25.4*10
T280-160	387	100	100	250	20.6*11.8	25.4*14.6
T280-200	387	100	105	250	20.6*14.7	25.4*18.2
T280-250	530	110	105	260	20.6*18.4	25.4*22.7
T315-63	370	110	90	270	23.2*4.7	28.6*5.8
T315-75	370	110	90	270	23.2*5.6	28.6*6.8
T315-90	370	110	100	280	23.2*6.7	28.6*8.2
T315-110	370	110	110	280	23.2*8.1	28.6*10
T315-160	460	110	110	285	23.2*11.8	28.6*14.6
T315-200	460	110	110	285	23.2*14.7	28.6*18.2
T315-250	575	103	110	285	23.2*18.4	28.6*22.7



Reducing Tee PE100/PE100RC

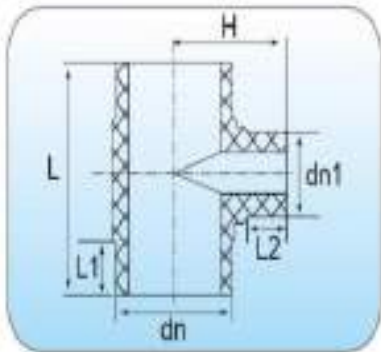


dn-dn1	L	L1	L2	H	e	e
SIZE(dn-dn1)	mm	mm	mm	mm	SDR17	SDR11
T355-90	330	110	100	287	21.1*5.4	32.2*8.2
T355-110	350	110	100	287	21.1*6.6	32.2*10
T355-160	400	110	100	287	21.1*9.5	32.2*14.6
T355-200	440	110	100	287	21.1*11.9	32.2*18.2
T355-250	490	110	100	287	21.1*14.8	32.2*22.7
T355-315	555	110	100	287	21.1*18.7	32.2*28.6
T400-90	340	110	100	310	23.7*5.4	36.3*8.2
T400-110	360	110	100	310	23.7*6.6	36.3*10
T400-160	400	110	100	310	23.7*9.5	36.3*14.6
T400-200	450	110	100	310	23.7*11.9	36.3*18.2
T400-250	490	110	100	310	23.7*14.8	36.3*22.7
T400-315	555	110	100	310	23.7*18.7	36.3*28.6
T400-355	595	110	100	310	23.7*21.1	36.3*32.2





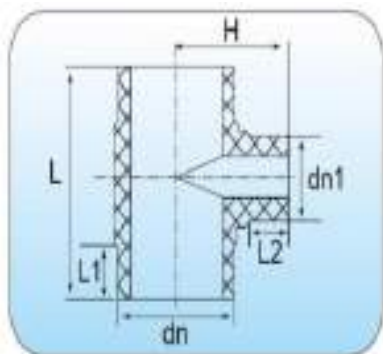
Reducing Tee PE100/PE100RC



dn-dn1	L	L1	L2	H	e	e
SIZE(dn-dn1)	mm	mm	mm	mm	SDR17	SDR11
T450-90	375	120	120	365	26.7*5.4	40.9*8.2
T450-110	375	120	120	365	26.7*6.6	40.9*10
T450-125	464	150	120	365	26.7*7.4	40.9*11.4
T450-160	464	130	120	365	26.7*9.5	40.9*14.6
T450-200	464	120	120	365	26.7*11.9	40.9*18.2
T450-225	545	150	130	375	26.7*13.4	40.9*20.5
T450-250	545	140	130	375	26.7*14.8	40.9*22.7
T450-280	600	140	140	385	26.7*16.6	40.9*25.4
T450-315	600	130	140	385	26.7*18.7	40.9*28.6
T450-355	660	140	160	405	26.7*21.1	40.9*32.2
T450-400	670	120	160	405	26.7*23.7	45.4*36.3
T500-110	398	130	135	420	29.7*6.6	45.4*10
T500-160	495	140	135	420	29.7*9.5	45.4*14.6
T500-200	495	135	135	420	29.7*11.9	45.4*18.2
T500-225	545	150	135	420	29.7*13.4	45.4*20.5
T500-250	545	135	135	420	29.7*14.8	45.4*22.7
T500-280	630	155	145	430	29.7*16.6	45.4*25.4
T500-315	635	145	145	430	29.7*18.7	45.4*28.6
T500-355	700	150	160	445	29.7*21.1	45.4*32.2
T500-400	705	140	160	445	29.7*23.7	45.4*36.3
T500-450	800	150	170	455	29.7*26.7	45.4*40.9



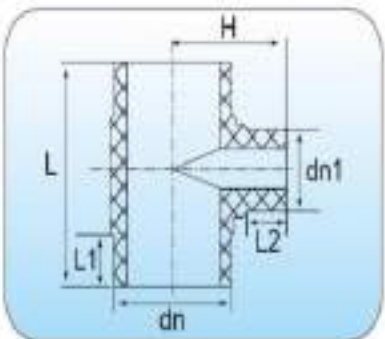
Reducing Tee PE100/PE100RC



dn-dn1	L	L1	L2	H	e	e
SIZE(dn-dn1)	mm	mm	mm	mm	SDR17	SDR11
T560-110	410	135	140	445	33.2*6.6	50.8*10
T560-125	430	135	140	445	33.2*7.4	50.8*11.4
T560-160	450	135	140	445	33.2*9.5	50.8*16.4
T560-200	508	135	140	445	33.2*11.9	50.8*18.2
T560-225	545	150	140	445	33.2*13.4	50.8*20.5
T560-250	545	135	140	445	33.2*14.8	50.8*22.7
T560-280	600	150	145	450	33.2*16.6	50.8*25.4
T560-315	605	135	145	450	33.2*18.7	50.8*28.6
T560-355	710	150	160	465	33.2*21.1	50.8*32.2
T560-400	720	135	160	465	33.2*23.7	50.8*36.3
T560-450	825	150	170	475	33.2*26.7	50.8*40.9
T560-500	825	140	170	475	33.2*29.7	50.8*45.4
T630-110	475	145	135	480	37.4*6.6	57.2*10
T630-160	475	140	140	485	37.4*9.5	57.2*14.6
T630-200	550	150	145	490	37.4*11.9	57.2*18.2
T630-225	555	150	145	490	37.4*13.4	57.2*20.5
T630-250	555	140	145	490	37.4*14.8	57.2*22.7
T630-280	660	160	145	490	37.4*16.6	57.2*25.4
T630-315	665	150	145	490	37.4*18.7	57.2*28.6
T630-355	720	150	160	505	37.4*21.1	57.2*32.2
T630-400	725	145	160	505	37.4*23.7	57.2*36.3
T630-450	800	150	180	525	37.4*26.7	57.2*40.9
T630-500	808	140	180	525	37.4*29.7	57.2*45.4



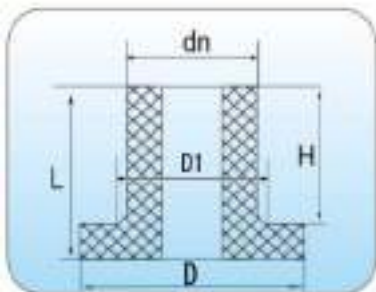
Reducing Tee PE100/PE100RC



dn-dn1	L	L1	L2	H	e
SIZE(dn-dn1)	mm	mm	mm	mm	SDR17
T710-110	505	190	160	520	42.1*6.6
T710-160	545	190	160	520	42.1*9.5
T710-200	585	190	160	520	42.1*11.9
T710-250	630	190	160	520	42.1*14.8
T710-315	710	195	160	520	42.1*18.7
T710-400	790	195	175	535	42.1*23.7
T710-500	890	195	200	560	42.1*29.7
T710-630	1020	195	210	570	42.1*37.4
T800-110	500	180	160	570	47.4*6.6
T800-160	590	200	160	570	47.4*9.5
T800-200	590	180	160	570	47.4*11.9
T800-250	630	170	160	570	47.4*14.8
T800-315	720	190	160	570	47.4*18.7
T800-355	720	180	180	590	47.4*21.1
T800-400	800	190	180	590	47.4*23.7
T800-500	890	190	210	620	47.4*29.7
T800-630	1020	190	210	620	47.4*37.4
T800-710	1100	195	210	620	47.4*42.1



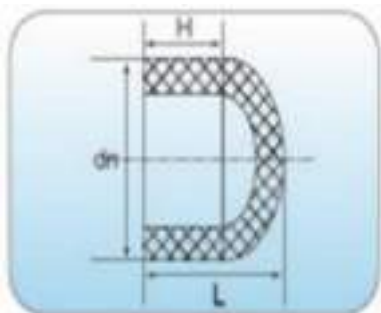
Stub End PE100/PE100RC



dn	L	H	D1	D	e	e	e
SIZE(dn)	mm	mm	mm	mm	SDR17	SDR13.6	SDR11
F50	73	64	55	80			4.6
F63	82	70	68	96			5.8
F75	86	74	80	110			6.8
F90	103	84	95	128			8.2
F110	123	103	116	150			10
F125	113	93	130	158		9.2	11.4
F140	110	90	145	182		10.3	12.7
F160	127	105	165	203		11.8	14.6
F180	135	110	190	212		13.3	16.4
F200	143	120	205	252		14.7	18.2
F225	135	112	230	268		16.6	20.5
F250	168	136	260	320		18.4	22.7
F280	160	133	285	318		20.6	25.4
F315	168	135	335	370		23.2	28.6
F355	155	125	360	430		26.1	32.2
F400	172	135	415	482	23.7	29.4	36.3
F450	188	142	465	530	26.7	33.1	40.9
F500	218	168	515	585	29.7	36.8	45.4
F560	220	172	570	625	33.2	41.2	50.8
F630	230	175	645	685	37.4	46.3	57.2
F710	230	170	730	800	42.1	52.2	
F800	230	170	820	905	47.4	58.8	
F900	230	170	920	1000	53.3		
F1000	260	200	1020	1100	59.3		
F1200	300	225	1220	1300	71.1		
F1400	400	295	1430	1500	83.0		



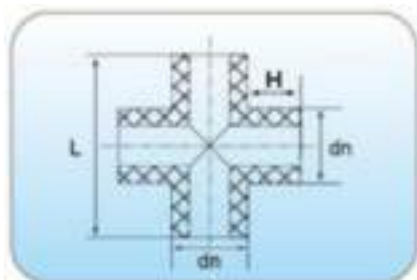
End Cap PE100/PE100RC



dn	L	H	e	e	e
SIZE(dn)	mm	mm	SDR17	SDR13.6	SDR11
75	45	35			6.8
90	70	60			8.2
110	70	55			10.0
125	60	48		9.2	11.4
140	85	70		10.3	12.7
160	85	70		11.8	14.6
180	105	90		13.3	16.4
200	90	75		14.7	18.2
225	130	115		16.6	20.5
250	95	85		18.4	22.7
280	140	120		20.6	25.4
315	115	90		23.2	28.6
355	140	115	21.1		32.2
400	130	100	23.7		36.3
450	140	115	26.7		40.9
500	140	115	29.7		45.4
560	150	115	33.2		50.8
630	150	115	37.4		57.2
710	160	125	42.1		64.5
800	160	125	47.4		72.6
900	160	125	53.3		81.7
1000	160	125	59.3		90.2
1200	200	155	71.1		109.09



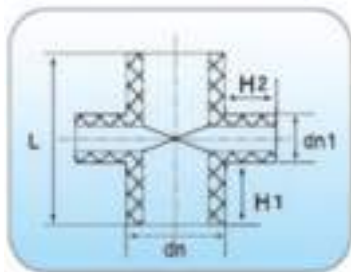
Cross Tee PE100/PE100RC



dn	L	H	e	e	e
SIZE(dn)	mm	mm	SDR17	SDR13.6	SDR11
63					5.8
75	45	35			6.8
90	70	60			8.2
110	70	55			10
125	60	48			11.4
160	85	70		11.8	14.6
200	90	75		14.7	18.2
225	130	115		16.6	20.5
250	95	85		18.4	22.7
315	115	90		23.2	28.6
355	140	115	21.1	26.1	32.2
400	130	100	23.7	29.4	36.3
450	140	115	26.7		
500	140	115	29.7		
560	150	115	33.2		
630	150	115	37.4		
710	160	125	42.1		
800	160	125	47.4		



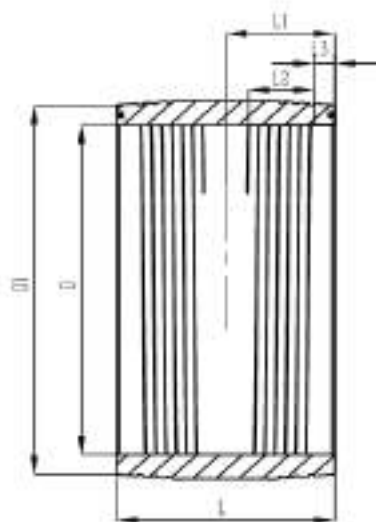
Reducer Cross Tee PE100/PE100RC



dn-dn1	L	H1	H2	e	e	e
SIZE(dn-dn1)	mm	mm	mm	SDR17	SDR13.6	SDR11
90-63	240	85	75			8.2*5.8
110-63	225	80	75			10*5.8
125-75	295	110	80			11.4*6.8
160-110	370	105	80			14.6*10
200-110	433	110	80			18.2*10
200-160	435	110	100			18.2*14.6
225-160	380	110	110		16.6*11.8	20.5*14.6
250-110	355	110	80		18.4*8.1	22.7*10
250-160	405	105	100		18.4*11.8	22.7*14.6
250-200	408	100	100		18.4*14.7	22.7*18.2
280-110	300	100	100		20.6*8.1	25.4*10.0
315-200	445	110	110		23.2*14.7	28.6*18.2
355-200	485	120	120	21.1*11.9		32.2*18.2
400-200	490	120	120	23.7*11.9		36.3*18.2
450-200	490	120	120	26.7*11.9		
450-315	605	130	130	26.7*18.7		
500-110	420	140	140	29.7*6.6		
500-160	470	140	140	29.7*9.5		
500-200	510	140	140	29.7*11.9		
500-250	565	140	140	29.7*14.8		
500-315	625	140	140	29.7*18.7		
560-200	515	140	140	33.2*11.9		
560-315	625	140	140	33.2*18.7		
630-200	530	140	140	37.4*11.9		
630-315	660	140	140	37.4*18.7		
710-200	630	160	160	42.1*11.9		



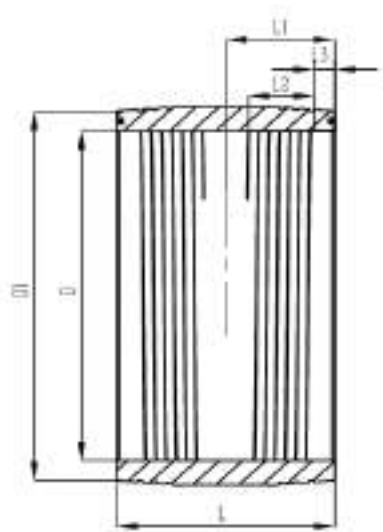
E/F coupler SDR17 PE100/PE100RC



dn	D	D1	L	L1	L2	L3
Size	mm	mm	mm	mm	mm	mm
250	250	292	220	110	63	27
315	315	355	234	117	66	30
355	355	399	267	133	70	30
400	400	448	301	150	75	30
450	450	504	310	155	75	30
500	500	556	324	162	85	30
560	560	616	334	167	100	32
630	630	696	376	188	110	32
710	710	790	432	216	128	44
800	800	890	462	231	152	44
900	901	992	528	258	143	70
1000	1000	1112	590	285	160	70
1200	1200	1324	595	290	155	70
1400	1400	1550	590	295	166	70



E/F coupler SDR11 PE100/PE100RC

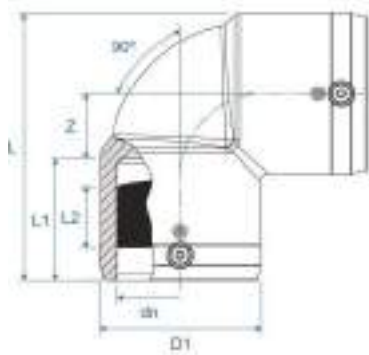


dn	D	D1	L	L1	L2	L3
Size	mm	mm	mm	mm	mm	mm
40	40	52	86	42	30	/
50	50	66	113	56	30	/
63	63	79	112	56	30	/
75	75	93	124	62	32	/
90	90	110	139	69	40	/
110	110	136	148	74	40	/
125	125	151	158	79	40	/
140	140	168	168	84	40	/
160	160	192	173	86	50	/
200	200	236	192	96	53	25
225	225	267	218	109	55	27
250	250	292	220	110	63	27
280	280	322	215	107	70	27
315	315	371	265	132	65	30
355	355	419	267	133	70	30
400	400	468	295	147	75	30
450	450	524	312	150	88	30
500	500	572	320	160	85	30
630	630	731	375	188	110	32



E/F 90 Deg Elbow SDR17 PE100/PE100RC

E/F 90 Deg Elbow SDR11 PE100/PE100RC



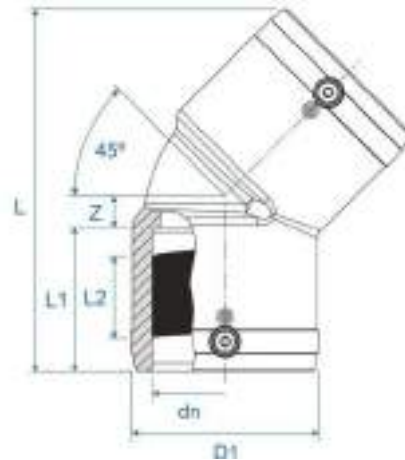
Size	D	D1	L1	L2
315*90	315	355	135	66
355*90	355	403	140	70
400*90	400	456	145	75
500*90	500	560	150	85
630*90	630	704	185	110

Size	D	D1	L1	L2
50*90	50	66	54	25
63*90	63	79	54	25
75*90	75	91	60	30
90*90	90	110	68	40
110*90	110	132	74	40
125*90	125	151	80	40
140*90	140	166	75	35
160*90	160	190	95	50
200*90	200	238	105	55
225*90	225	267	110	65
250*90	250	294	125	63
315*90	315	375	135	70
355*90	355	419	140	70
400*90	400	472	145	75
500*90	500	587	151	85



E/F 45 Deg Elbow SDR17 PE100/PE100RC

E/F 45 Deg Elbow SDR11 PE100/PE100RC



Size	D	D1	L1	L2
315*45	315	355	135	66
355*45	355	403	140	70
400*45	400	456	145	75
500*45	500	560	150	85
630*45	630	704	185	110

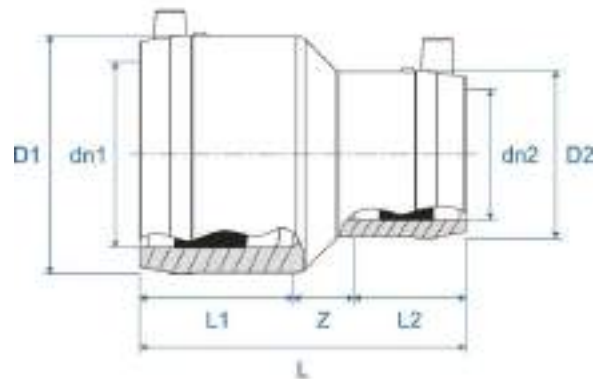
Size	D	D1	L1	L2
50*45	50	66	54	25
63*45	63	79	54	25
75*45	75	91	60	30
90*45	90	110	68	40
110*45	110	132	74	40
125*45	125	151	80	40
140*45	140	166	75	35
160*45	160	190	95	50
200*45	200	238	105	55
225*45	225	267	110	65
250*45	250	294	125	63
315*45	315	375	135	70
355*45	355	419	140	70
400*45	400	472	145	75
500*45	500	587	151	85



E/F Reducer SDR17 PE100/PE100RC

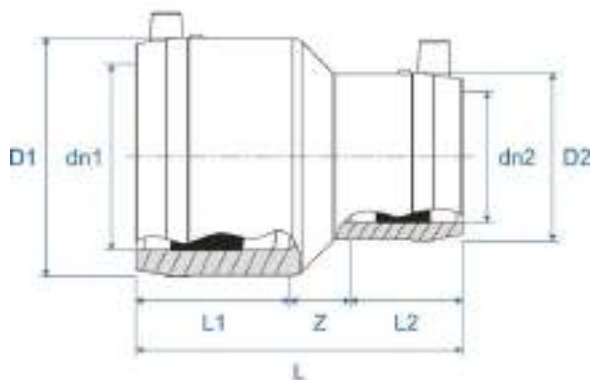


dn1 x dn2	D1 x D2	L	L1	L2
200*355	240*399	277	105*140	55*65
250*355	294*399	297	125*140	70*70
315*355	363*399	285	135*140	65*70
250*400	294*448	310	125*140	80*75
315*400	365*448	315	135*140	80*75
315*500	365*556	320	133*140	78*83
400*500	450*556	330	145*150	73*81





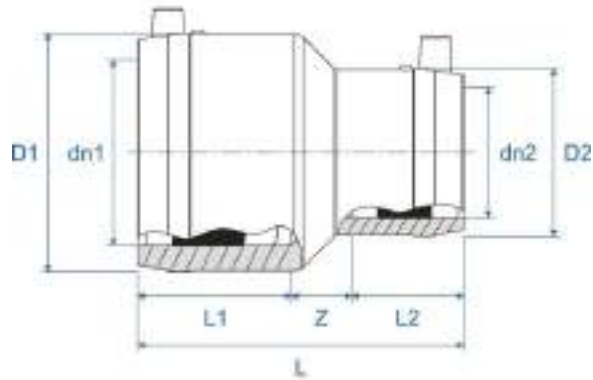
E/F Reducer SDR11 PE100/PE100RC



dn1 x dn2	D1 x D2	L	L1	L2
50*63	66*79	114	53*53	23*26
50*75	66*91	121	53*57	26*31
63*75	79*91	122	54*57	27*31
50*90	66*110	133	55*65	30*26
63*90	79*110	135	55*65	26*26
75*90	93*110	136	60*67	33*45
50*110	66*134	145	55*72	37*43
63*110	79*134	142	55*73	31*45
75*110	91*134	145	60*73	38*44
90*110	110*134	153	70*73	38*44
75*125	91*149	155	60*79	38*38
90*125	110*149	166	70*77	38*40
110*125	132*149	170	75*78	38*33
110*140	132*168	175	75*80	40*40
50*160	90*194	235	100*110	72*46
63*160	91*192	235	100*110	70*45
75*160	109*192	184	70*92	43*47
90*160	110*194	183	68*92	36*41
110*160	134*192	186	75*92	50*50
125*160	149*192	190	80*90	50*50
140*160	164*192	194	90*95	50*50



dn1 x dn2	D1 x D2	L	L1	L2
200*50	78*236	255	109*113	81*43
200*63	79*236	265	109*113	90*50
200*75	109*238	260	109*117	83*51
200*90	110*236	260	109*112	50*60
200*110	134*236	210	75*100	50*60
200*125	149*236	215	80*100	50*60
200*140	168*240	215	95*90	47*60
200*160	192*238	222	93*102	52*65
225*110	134*265	223	75*110	40*45
225*160	190*265	232	95*110	55*57
225*200	236*265	232	103*110	55*60
250*110	134*294	250	75*120	45*55
250*160	192*294	264	95*120	50*65
250*200	236*294	264	105*120	50*60
250*225	265*294	252	110*120	50*60
315*160	192*363	268	95*130	55*60
315*200	236*363	275	105*130	55*60
315*250	292*363	290	125*130	55*60
355*200	240*415	272	105*135	63*68
355*250	296*415	295	123*135	65*70
355*315	375*417	285	132*135	70*70
400*315	373*468	307	132*140	72*80
400*355	417*470	311	150*140	71*80
450*400	470*522	315	143*155	95*90

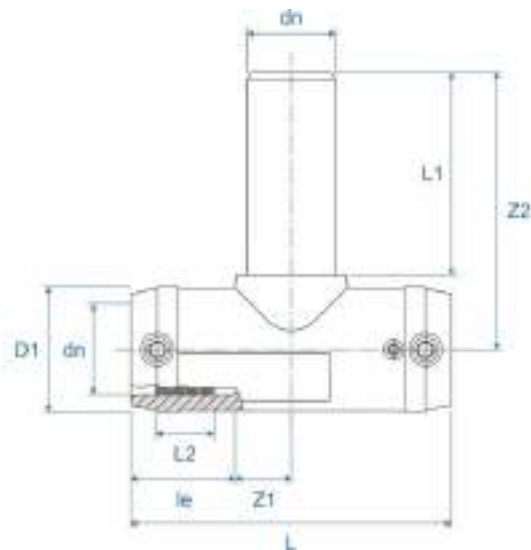




E/F Equal Tee SDR17 PE100/PE100RC

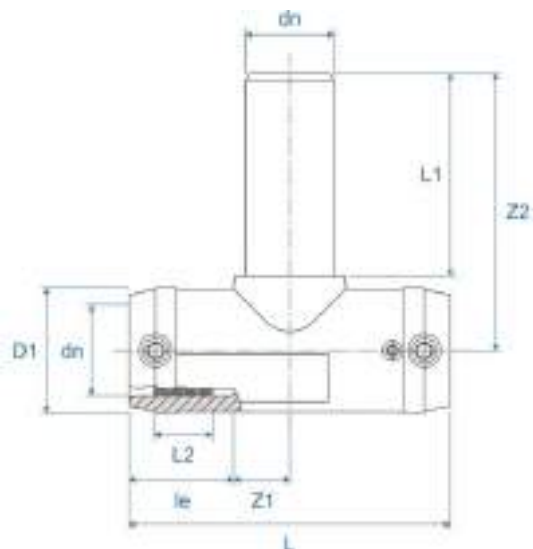


dn	D1	L	Le	L2
315	355	518	135	66
355	405	585	140	75
400	454	620	143	75
500	560	737	150	85
630	704	932	187	110





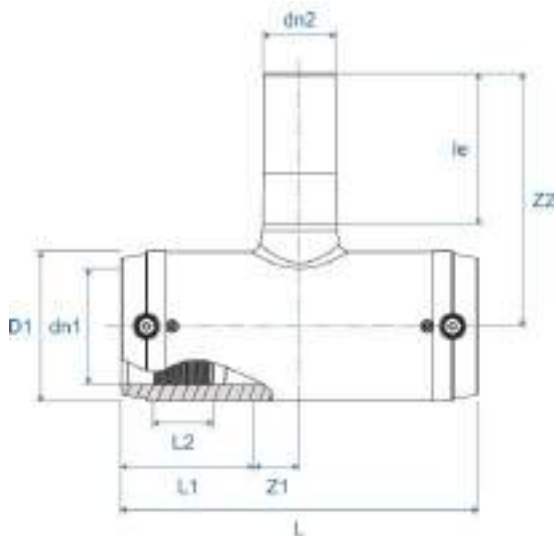
E/F Equal Tee SDR11 PE100/PE100RC



dn	D1	L	Le	L2
50	66	149	54	27
63	79	165	55	28
75	93	184	60	29
90	110	213	70	40
110	134	241	75	40
125	151	260	80	40
140	168	281	85	40
160	192	315	93	50
200	240	360	104	55
225	265	395	120	55
250	296	437	125	63
315	371	518	133	70
355	419	577	140	70
400	474	623	143	70
450	525	703	156	75
500	587	725	151	85



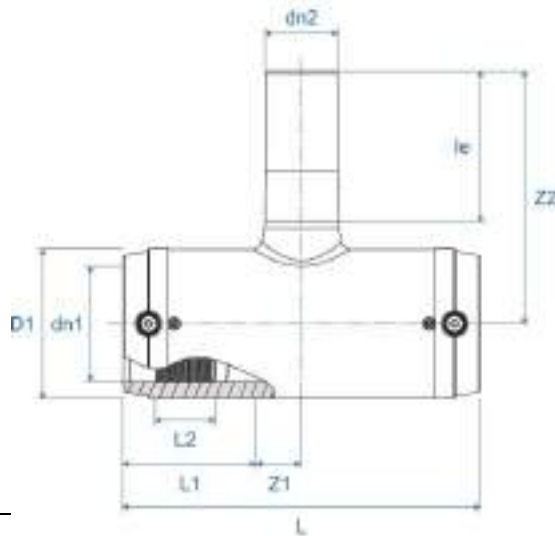
E/F Reducing Tee SDR17 PE100/PE100RC



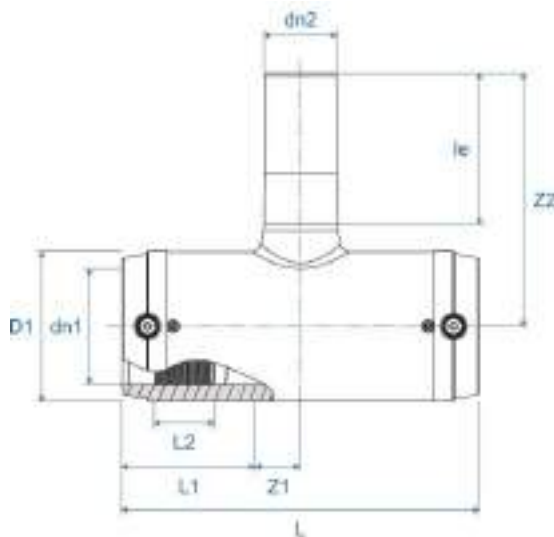
dn1 x dn2	dn1	D1	L	L1	L2
315*90	315	355	398	135	66
315*110	315	355	398	135	66
315*160	315	355	398	135	66
315*200	315	355	518	135	66
315*250	315	355	518	135	66
355*110	355	405	585	140	75
355*160	355	405	585	140	75
355*200	355	405	585	140	75
355*250	355	405	585	140	75
355*315	355	405	585	140	75
400*110	400	454	447	143	75
400*125	400	454	447	143	75
400*160	400	454	447	143	75
400*200	400	454	447	143	75
400*250	400	454	620	143	75
400*315	400	454	620	143	75
500*110	500	560	500	150	85
500*160	500	560	500	150	85
500*200	500	560	500	150	85
500*250	500	560	500	150	85
500*315	500	560	737	150	85
500*400	500	560	737	150	85
500*450	500	560	737	150	85
630*110	630	702	710	184	110
630*160	630	702	710	184	110
630*200	630	702	710	184	110
630*250	630	702	710	184	110



E/F Reducing Tee SDR11 PE100/PE100RC



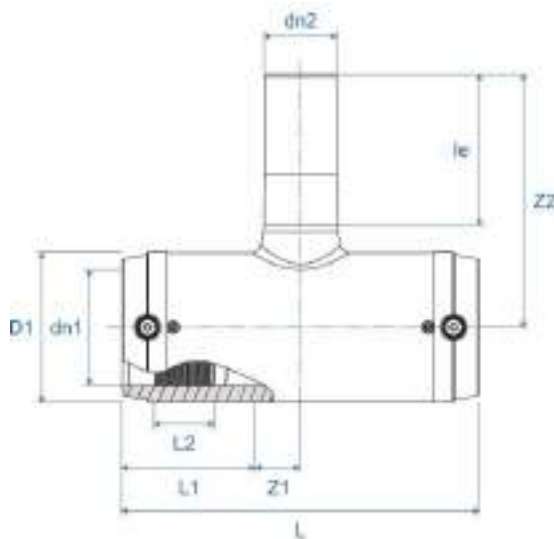
dn1 x dn2	dn1	D1	L	L1	L2
50*32	50	66	149	54	27
50*40	50	66	149	54	27
63*32	63	79	165	55	28
63*40	63	79	165	55	28
63*50	63	79	165	55	28
75*40	75	93	184	60	29
75*50	75	93	184	60	29
75*63	75	93	184	60	29
90*50	90	110	213	70	40
90*63	90	110	213	70	40
90*75	90	110	213	70	40
110*50	110	134	214	75	40
110*63	110	134	214	75	40
110*75	110	134	214	75	40
110*90	110	134	241	75	40
125*75	125	151	260	80	40
125*90	125	151	260	80	40
125*110	125	151	260	80	40
140*90	140	168	281	85	40
140*110	140	168	281	85	40
160*50	160	192	263	93	50
160*63	160	192	263	93	50
160*75	160	192	263	93	50
160*90	160	192	315	93	50
160*110	160	192	315	93	50
160*125	160	192	315	93	50
160*140	160	192	315	93	50



dn1 x dn2	dn1	D1	L	L1	L2
200*50	200	240	295	104	55
200*63	200	240	295	104	55
200*75	200	240	295	104	55
200*90	200	240	295	104	55
200*110	200	240	295	104	55
200*125	200	240	360	104	55
200*160	200	240	360	104	55
225*90	225	265	395	120	55
225*110	225	265	395	120	55
225*160	225	265	395	120	55
225*200	225	265	395	120	55
250*75	250	296	354	125	63
250*90	250	296	354	125	63
250*110	250	296	354	125	63
250*125	250	296	354	125	63
250*160	250	296	437	125	63
250*200	250	296	437	125	63
315*110	315	371	398	133	70
315*160	315	371	398	133	70
315*200	315	371	518	133	70
315*250	315	371	518	133	70
355*250	355	419	577	140	70
355*315	355	419	577	140	70



dn1 x dn2	dn1	D1	L	L1	L2
400*110	400	472	338	143	70
400*160	400	472	338	143	70
400*200	400	472	338	143	70
400*250	400	472	623	143	70
400*315	400	472	623	143	70
450*110	450	525	703	156	75
450*160	450	525	703	156	75
450*200	450	525	703	156	75
450*250	450	525	703	156	75
450*315	450	525	703	156	75
450*400	450	525	703	156	75
500*400	500	587	725	151	85



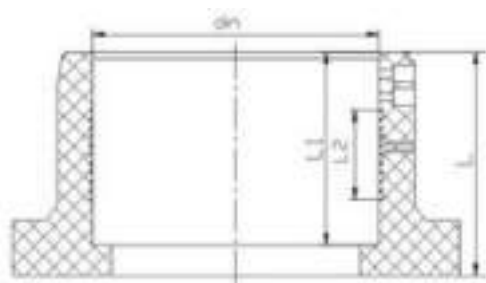


E/F Stub End SDR17 PE100/PE100RC

E/F Stub End SDR11 PE100/PE100RC

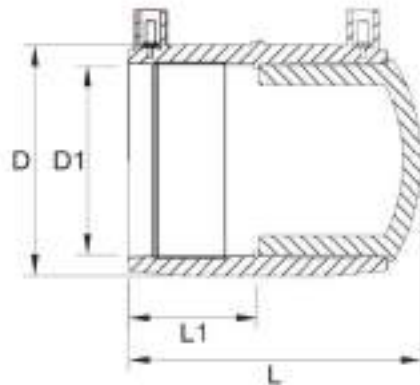
dn	D	L	L1	L2
355	395	150	132	80
400	444	150	135	76
450	498	155	140	77
500	552	190	170	105
560	620	205	180	95
630	680	205	190	115
710	772	270	245	150
800	872	273	250	158

dn	D	L	L1	L2
50	66	78	71	37
63	79	77	71	38
75	93	77	70	40
90	110	85	77	45
110	132	104	95	55
125	149	105	95	57
140	168	107	94	56
160	190	125	113	65
200	238	123	110	60
225 (8 holes)	265	122	109	61
225(12 holes)	265	122	109	61
250	290	150	140	80
280	320	150	145	90
315	355	155	145	95
355	405	155	135	80
400	456	155	133	76





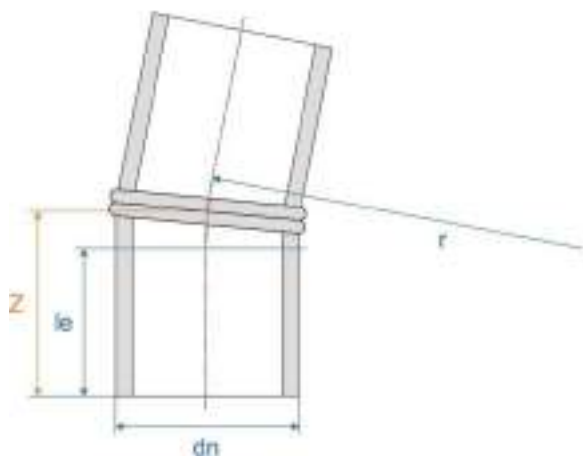
E/F End Cap SDR11 PE100/PE100RC



dn	D1	D	L	L1	L2
50	50	64	80	58	35
63	63	79	82	65	33
75	75	95	100	68	45
90	90	110	95	75	40
110	110	134	103	78	40
160	160	190	145	110	75
200	200	236	165	123	80
250	250	290	165	123	75



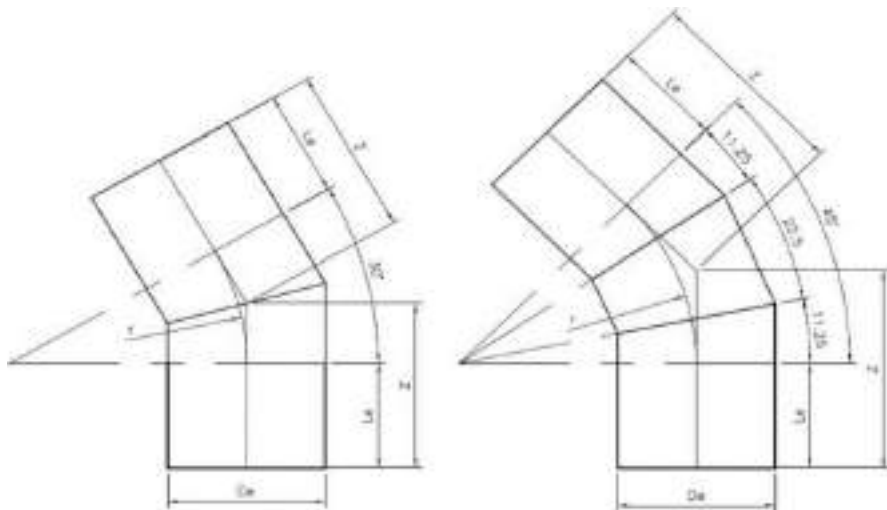
Segmented 11.25 Deg Bend PE100/PE100RC



dn	Le	r	Z
110	150	275	176
160	150	400	189
225	150	563	204
250	250	625	310
280	250	700	317
400	300	1000	396
450	300	1125	408
500	350	1250	470
560	350	1400	485
630	350	1575	502
710	350	1775	521
800	350	2000	543
900	400	2250	617
1000	400	2500	641
1200	400	3000	689
1400	550	3500	887
1600	550	4000	935



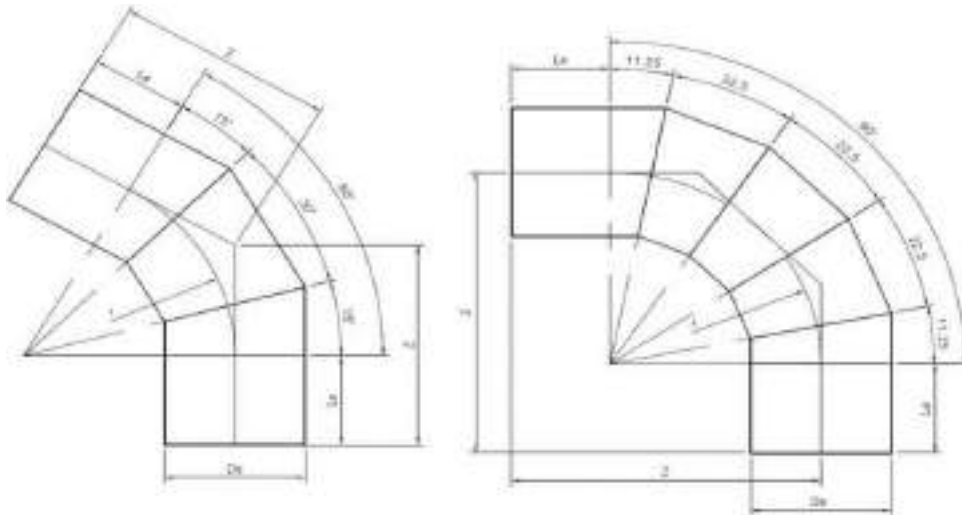
Segmented 30/45 Deg Bend PE100/PE100RC



Dn	r	Le	Z	
			45°	30°
90	135	100	156	136
110	165	150	218	194
125	188	150	228	200
140	210	150	237	206
160	240	150	249	214
180	270	150	262	222
200	300	150	274	230
225	338	150	290	241
250	375	250	412	350
280	420	250	424	362
315	473	300	498	428
355	533	300	520	443
400	600	300	548	461
450	675	300	580	481
500	750	350	665	551
560	840	350	698	575
630	945	350	741	603
710	1065	350	792	636
800	1200	350	847	672
900	1350	400	960	762
1000	1500	400	1022	802
1200	1800	400	1146	882



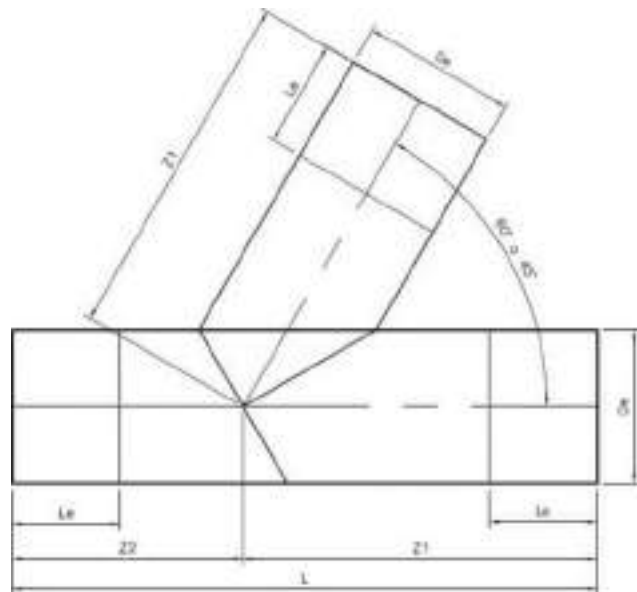
Segmented 60/90 Deg Bend PE100/PE100RC



Dn	r	Le	Z	
			90°	60°
90	135	100	235	178
110	165	150	315	245
125	188	150	338	258
140	210	150	360	271
160	240	150	440	288
180	270	150	470	305
200	300	150	500	323
225	338	150	538	345
250	375	250	625	466
280	420	250	670	492
315	473	300	773	576
355	533	300	833	608
400	600	300	900	646
450	675	300	975	689
500	750	350	1100	783
560	840	350	1190	835
630	945	350	1295	896
710	1065	350	1415	965
800	1200	350	1550	1043
900	1350	400	1750	1179
1000	1500	400	1900	1266
1200	1800	400	2200	1439



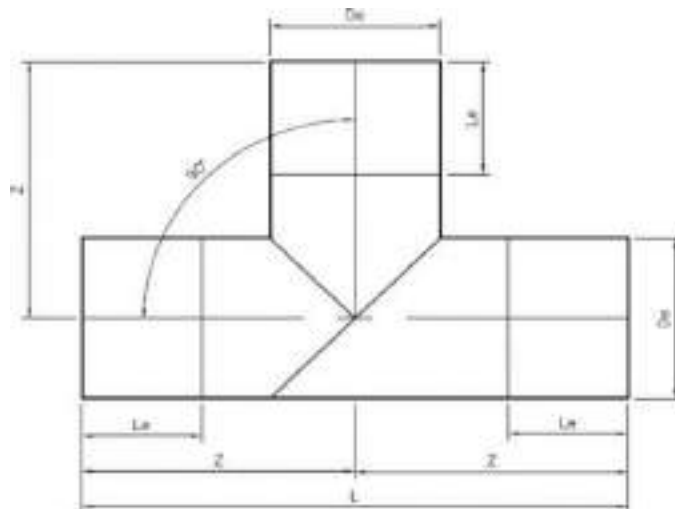
Segmented Y Junction Tee PE100/PE100RC



Dn	Le	L	Z1	Z2
90	100	650	385	265
110	150	700	425	275
125	150	745	455	290
140	150	781	475	306
160	150	842	512	330
180	150	900	550	350
200	150	959	587	375
225	150	1030	630	400
250	250	1305	780	525
280	250	1395	830	565
315	300	1490	890	600
355	300	1555	930	625
400	300	1650	1000	650
450	300	1725	1050	675
500	350	1900	1150	750
560	350	1980	1200	780
630	350	2045	1250	795
710	350	2170	1340	830
800	350	2310	1430	880
900	400	2310	1620	970
1000	400	2590	1660	1010
1200	400	2680	1750	1100



Segmented Tee PE100/PE100RC



Dn	Le	L	Z
90	100	590	295
110	150	610	305
125	150	630	315
140	150	640	320
160	150	660	330
180	150	680	340
200	150	700	350
225	150	730	365
250	250	1150	575
280	250	1180	590
315	300	1320	660
355	300	1360	680
400	300	1400	700
450	300	1450	725
500	350	1600	800
560	350	1660	830
630	350	1730	865
710	350	1810	905
800	350	1900	950
900	400	2100	1050
1000	400	2200	1100
1200	400	2400	1200



Steel Flange EN1092/ISO7005



Pipe Size	DN	PN	OD	PCD	ID	Bolt No.	Bolt Hole Dia	Thickness
50	40	16	150	110	55	4	18	18
63	50	16	165	125	68	4	18	20
75	65	16	185	145	80	4	18	20
90	80	16	200	160	95	8	18	20
110	100	16	220	180	116	8	18	22
125	125	16	250	210	130	8	18	22
140	125	16	250	210	150	8	18	22
160	150	16	285	240	170	8	22	24
180	150	16	285	240	188	8	22	24
200	200	16	340	295	210	12	22	26
225	200	16	340	295	235	12	22	26
250	250	16	405	355	265	12	26	29
280	250	16	405	355	290	12	26	29
315	300	16	460	410	335	12	26	32
355	350	16	520	470	365	16	26	35
400	400	16	580	525	420	16	30	38
450	450	16	640	585	470	20	30	42
500	500	16	715	650	520	20	33	46
560	600	16	840	770	575	20	36	55
630	600	16	840	770	650	20	36	55
710	700	16	910	840	740	24	36	63
800	800	16	1025	950	830	24	39	74



Steel Flange ANSI B 16.5 Class 150



Pipe Size	DN	OD	PCD	ID	Bolt No.	Bolt Hole Dia	Thickness
50	1 1/2"	127	98.6	63	4	16	17.5
63	2"	152	120.5	68	4	20	19.5
75	2 1/2"	178	139.5	80	4	20	22.5
90	3"	190	152.5	95	4	20	24
110	4"	229	190.5	116	8	20	24
125	5"	254	216	130	8	22	24
140	5"	254	216	150	8	22	24
160	6"	279	241.5	170	8	22	25.5
180	6"	279	241.5	188	8	22	25.5
200	8"	343	298.5	210	8	22	29
225	8"	343	298.5	235	8	22	29
250	10"	406	362	265	12	26	30.5
280	10"	406	362	290	12	26	30.5
315	12"	483	432	335	12	30	32
355	14"	533	476	365	12	26	35
400	16"	597	540	420	16	30	37
450	18"	635	578	470	16	33	40
500	20"	698	635	520	20	33	43
560	24"	813	749.5	575	20	36	48
630	24"	813	749.5	650	20	36	48
710	28"	927.1	863.6	740	28	35	52.4
800	32"	1060.4	977.9	830	28	41	57.1